

## Pressure Gauges / Smart Pressure Transmitters / Smart Differential Pressure Transmitter

**CONSTRUCTIVE PROPERTIES**

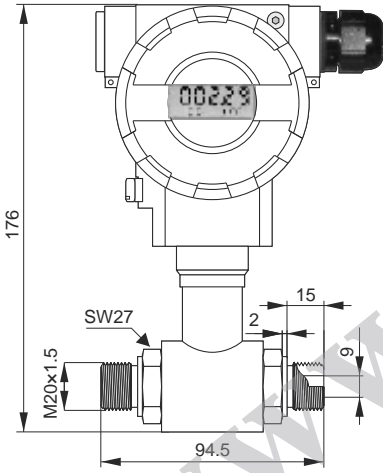
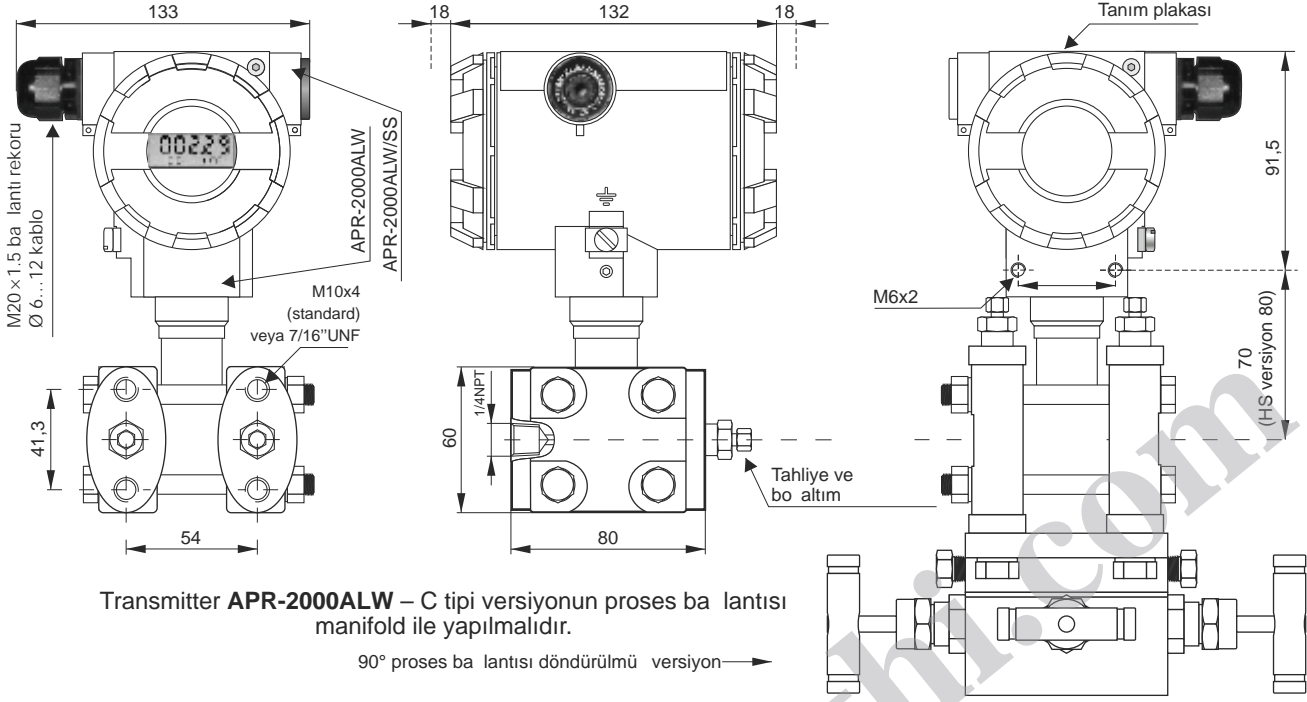
	STANDARD	OPTIONAL
Mounting Type	Bottom Connection	Diaphragm
Scale Unit	bar   psi   mbar   kg/cm <sup>2</sup>   Kpa   Mpa   mmH2O	
Scale Range (PN)	0/1   0/2,5   0/16   0/70   -0,5/0,5   0/0,25	
Case	Aluminum	Stainless Steel AISI-316L
Window	Polycarbonate	Glass
Wetted Parts	Stainless Steel AISI-316L	Hastelloy C276
Connection	1/4" NPT	M20x1,5
Voltage Supply	12..55 VDC	
Measuring Method	Relative	-
Sensor Type	Piezoresistant Silicon Sensor	
Packing	Viton	PTFE
Scale Range (mbar)	-100...100   -25...25   -7...7   -5...70	

**USAGE PROPERTIES**

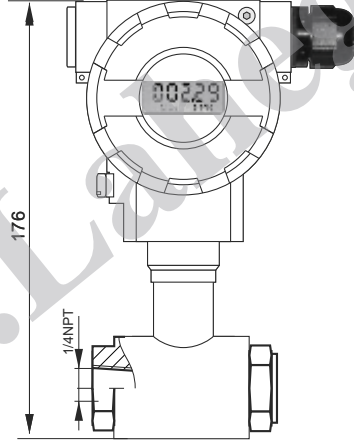
Fluid Temperature	-25°C...+120°C	
Ambient Temperature	-25°C...+85°C	
Over Pressure Limit	250 bar	320 bar   420 bar
Accuracy Class	0,075%	0,025%
Protection Rate	IP 66	IP 67
Conformity	-	Oxygen Service   Exia   Exd   DNV
Output Signal	4 - 20 mA + HART	
Long term Drift	≤ ± 0,3 % FS/year (0 Mio Cycles 100% pressure @ 25°C)	
Thermal error	< ± 0,05 %	
Connector	DIN 43650   M20 X 1,5	1/2 " NPT
Çalışma Ömrü	-	


**APR-2000ALW**

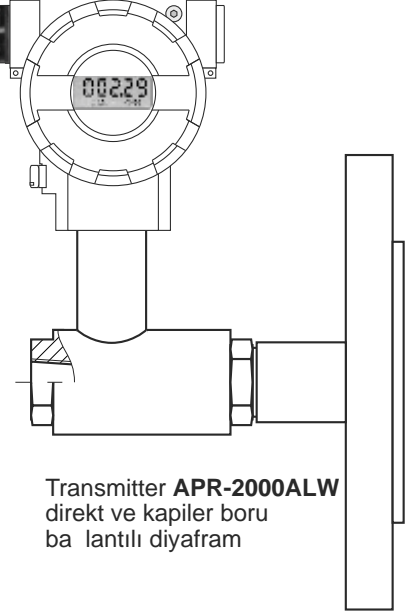
Pressure Gauges / Smart Pressure Transmitters / Smart Differential Pressure Transmitter



Transmitter **APR-2000ALW**  
**P tipi** proses ba lantı



Transmitter **APR-2000ALW**  
**PN tipi** proses ba lantı



Transmitter **APR-2000ALW**  
direkt ve kapiler boru  
ba lantılı diyafram